

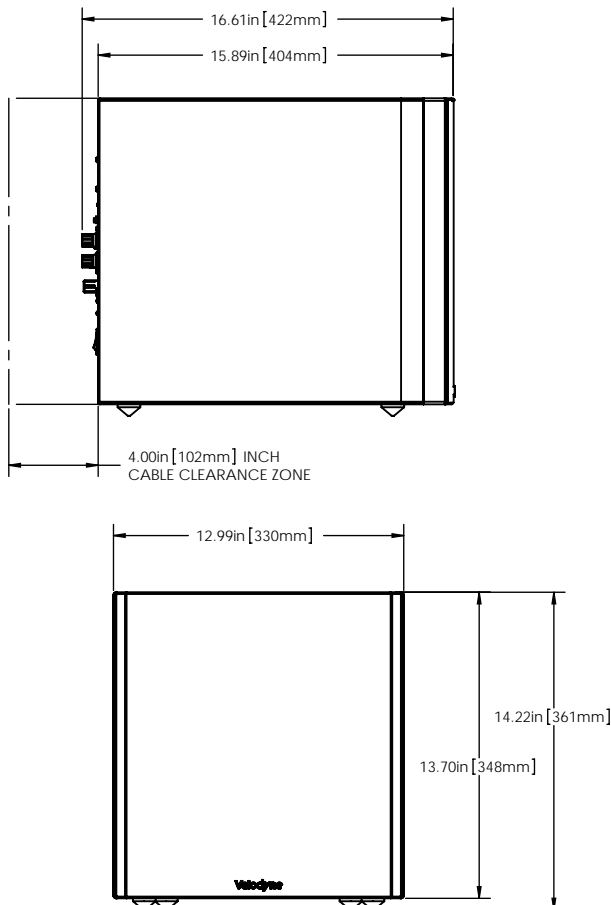
# DD-10+

THE NEW INDUSTRY BENCHMARK IN LOW DISTORTION BASS



## Features

- **One-Touch Auto-EQ+** automates the seamless blend of subwoofer, system and room
- Use your PC for manual adjustments and real time feedback of your bass performance
- The industry's lowest distortion bass - under .5%
- Sophisticated cone design for fast, accurate motion
- Six-layer, custom wound voice coil assures better heat dissipation
- Massive motor structure for amazing low-frequency energy



## SPECIFICATIONS

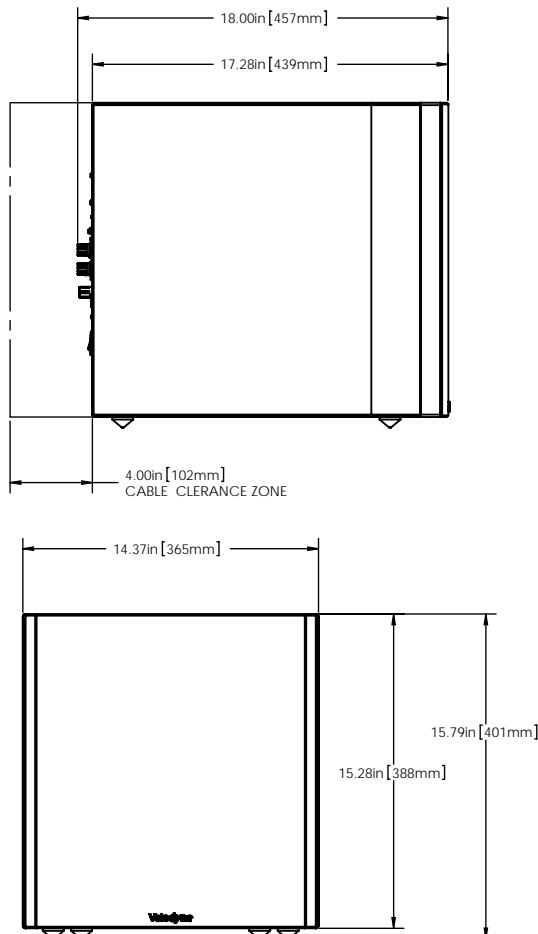
MODEL	DD-10+
Driver	10" forward firing
Amplifier Class D	3000 watts Dynamic 1250 watts RMS Power
Frequency Response	Overall 10.5 - 300 Hz (+/- 3 dB) 18.7 - 120 Hz
THD	<0.5% (typical)
High Pass Crossover	80 or 100 Hz at 6 dB/octave
Low Pass Crossover	40 Hz to 199 Hz (variable in 1 Hz increments) selectable slope Default: 80 Hz @ 24 dB/Octave
Phase	0 to 180 degrees (variable in 15 degree increments)
Polarity	Adjustable (+/-)
Magnet Structure	35 lbs.
Voice Coil	Six-layer, 65mm
Cone	Fiberglass Rohacell Laminate
<b>INPUTS</b>	
LFE (Mono)	Line level (RCA), Nominal Impedance 47K, Balanced (XLR), Nominal Impedance 10K
Input (L&R)	Line level (RCA & XLR)
Microphone	Balanced (Mini-XLR, cable included)
Speaker Level (L&R)	Bare wire, banana plugs, or spade lugs
<b>OUTPUTS</b>	
Thru (L&R)	Line level (RCA & XLR)
Output (L&R), High-Pass	Line level (RCA & XLR)
Included Accessories	Full feature remote control, DD+ accessory kit and video cable
Finishes	Black gloss ebony, satin cherry or walnut
Dimensions (H/W/D) (includes feet and connectors)	14.2" x 13" x 16.6" (36 X 33 X 42 cm)
Shipping Weight (approx)	75 lbs.
Warranty (parts/labor)	Three years (electronics) Five years (drivers)

# DD-12+

THE NEW INDUSTRY BENCHMARK IN LOW DISTORTION BASS

## Features

- *One-Touch Auto-EQ+ automates the seamless blend of subwoofer, system and room*
- *Use your PC for manual adjustments and real time feedback of your bass performance*
- *The industry's lowest distortion bass - under .5%*
- *Sophisticated cone design for fast, accurate motion*
- *Six-layer, custom wound voice coil assures better heat dissipation*
- *Massive motor structure for amazing low-frequency energy*



## SPECIFICATIONS

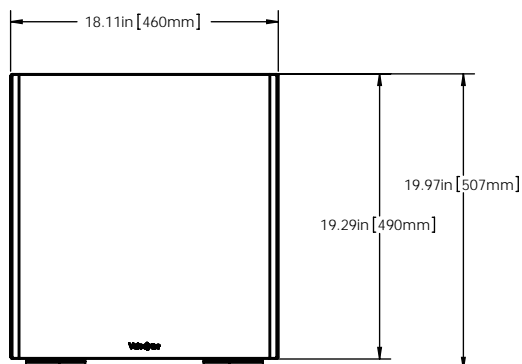
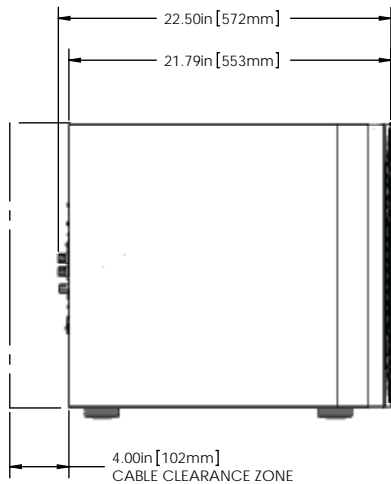
MODEL	DD-12+
Driver	12" forward firing
Amplifier Class D	3000 watts Dynamic 1250 watts RMS Power
Frequency Response	Overall 10.2 – 300 Hz (+/- 3 dB) 17 – 120 Hz
THD	<0.5% (typical)
High Pass Crossover	80 or 100 Hz at 6 dB/octave
Low Pass Crossover	40 Hz to 199 Hz (variable in 1 Hz increments) selectable slope Default: 80 Hz @ 24 dB/Octave
Phase	0 to 180 degrees (variable in 15 degree increments)
Polarity	Adjustable (+/-)
Magnet Structure	35 lbs.
Voice Coil	Six-layer, 65mm
Cone	Fiberglass Rohacell Laminate
<b>INPUTS</b>	
LFE (Mono)	Line level (RCA), Nominal Impedance 47K, Balanced (XLR), Nominal Impedance 10K
Input (L&R)	Line level (RCA & XLR)
Microphone	Balanced (Mini-XLR, cable included)
Speaker Level (L&R)	Bare wire, banana plugs, or spade lugs
<b>OUTPUTS</b>	
Thru (L&R)	Line level (RCA & XLR)
Output (L&R), High-Pass	Line level (RCA & XLR)
Included Accessories	Full feature remote control, DD+ accessory kit and video cable
Finishes	Black gloss ebony, satin cherry or walnut
Dimensions (H/W/D) (includes feet and connectors)	15.8" x 14.4" x 18" (40 x 37 x 46 cm)
Shipping Weight (approx)	85 lbs.
Warranty (parts/labor)	Three years (electronics) Five years (drivers)

# DD-15+

THE NEW INDUSTRY BENCHMARK IN LOW DISTORTION BASS

## Features

- *One-Touch Auto-EQ+ automates the seamless blend of subwoofer, system and room*
- *Use your PC for manual adjustments and real time feedback of your bass performance*
- *The industry's lowest distortion bass - under .5%*
- *Sophisticated cone design for fast, accurate motion*
- *Six-layer, custom wound voice coil assures better heat dissipation*
- *Massive motor structure for amazing low-frequency energy*



## SPECIFICATIONS

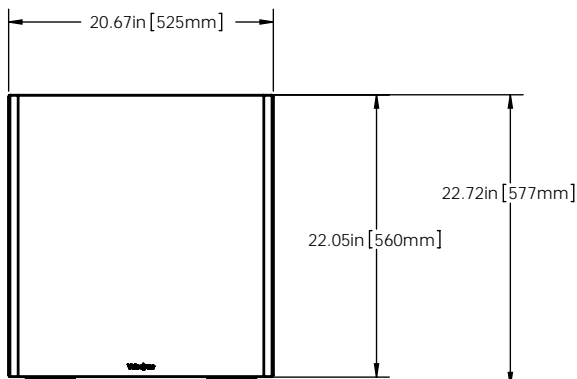
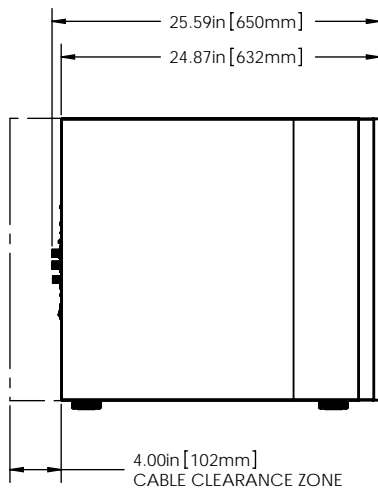
MODEL	DD-15+
Driver	15" forward firing
Amplifier Class D	3000 watts Dynamic 1250 watts RMS Power
Frequency Response	Overall 9.0 – 300 Hz (+/- 3 dB) 14.6 – 120 Hz
THD	<0.5% (typical)
High Pass Crossover	80 or 100 Hz at 6 dB/octave
Low Pass Crossover	40 Hz to 199 Hz (variable in 1 Hz increments) selectable slope Default: 80 Hz @ 24 dB/Octave
Phase	0 to 180 degrees (variable in 15 degree increments)
Polarity	Adjustable (+/-)
Magnet Structure	39.7 lbs.
Voice Coil	Six-layer, 75mm
Cone	Fiberglass Rohacell Laminate
<b>INPUTS</b>	
LFE (Mono)	Line level (RCA), Nominal Impedance 47K, Balanced (XLR), Nominal Impedance 10K
Input (L&R)	Line level (RCA & XLR)
Microphone	Balanced (Mini-XLR, cable included)
Speaker Level (L&R)	Bare wire, banana plugs, or spade lugs
<b>OUTPUTS</b>	
Thru (L&R)	Line level (RCA & XLR)
Output (L&R), High-Pass	Line level (RCA & XLR)
Included Accessories	Full feature remote control, DD+ accessory kit and video cable
Finishes	Black gloss ebony, satin cherry or walnut
Dimensions (H/W/D) (includes feet and connectors)	20" x 18.1" x 22.5" (51 x 46 x 57 cm)
Shipping Weight (approx)	120 lbs.
Warranty (parts/labor)	Three years (electronics) Five years (drivers)

# DD-18+

THE NEW INDUSTRY BENCHMARK IN LOW DISTORTION BASS

## Features

- *One-Touch Auto-EQ+ automates the seamless blend of subwoofer, system and room*
- *Use your PC for manual adjustments and real time feedback of your bass performance*
- *The industry's lowest distortion bass - under .5%*
- *Sophisticated cone design for fast, accurate motion*
- *Six-layer, custom wound voice coil assures better heat dissipation*
- *Massive motor structure for amazing low-frequency energy*



## SPECIFICATIONS

MODEL	DD-18+
Driver	18" forward firing
Amplifier Class D	3000 watts Dynamic 1250 watts RMS Power
Frequency Response	Overall 8.8 - 300 Hz (+/- 3 dB) 14.4 - 120 Hz
THD	<0.5% (typical)
High Pass Crossover	80 or 100 Hz at 6 dB/octave
Low Pass Crossover	40 Hz to 199 Hz (variable in 1 Hz increments) selectable slope Default: 80 Hz @ 24 dB/Octave
Phase	0 to 180 degrees (variable in 15 degree increments)
Polarity	Adjustable (+/-)
Magnet Structure	39.7 lbs.
Voice Coil	Six-layer, 75mm
Cone	Fiberglass Rohacell Laminate
<b>INPUTS</b>	
LFE (Mono)	Line level (RCA), Nominal Impedance 47K, Balanced (XLR), Nominal Impedance 10K
Input (L&R)	Line level (RCA & XLR)
Microphone	Balanced (Mini-XLR, cable included)
Speaker Level (L&R)	Bare wire, banana plugs, or spade lugs
<b>OUTPUTS</b>	
Thru (L&R)	Line level (RCA & XLR)
Output (L&R), High-Pass	Line level (RCA & XLR)
Included Accessories	Full feature remote control, DD+ accessory kit and video cable
Finishes	Black gloss ebony, satin cherry or walnut
Dimensions (H/W/D) (includes feet and connectors)	22.7" x 20.7" x 25.6" (58 x 53 x 65 cm)
Shipping Weight (approx)	142 lbs.
Warranty (parts/labor)	Three years (electronics) Five years (drivers)