

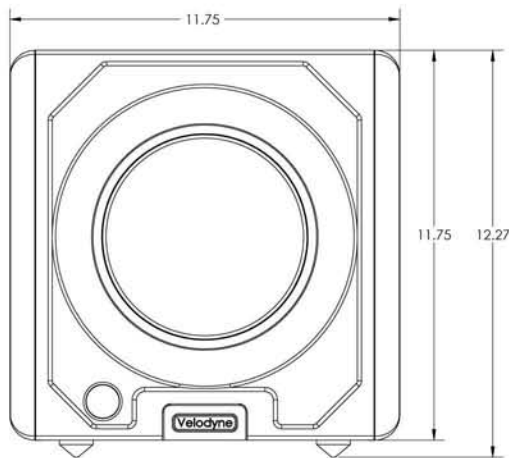
# DD-10

THE REFERENCE STANDARD IN DIGITAL SERVO BASS REPRODUCTION



## Features

- *The reference standard for bass reproduction*
- *Patented, digital high-gain servo assures minimal distortion*
- *Perfect room-bass interaction with patented DD software*
- *Patented ERS amp, 1250 watt RMS / 3000 watt Dynamic*
- *Remote control with six custom presets*



## SPECIFICATIONS

Driver	10" forward firing (8" piston diameter)
Amplifier: Class D	3000 watts Dynamic 1250 watts RMS Power
Frequency Response	18 Hz to 120 Hz +/-3 dB
THD	<1% (typical)
High Pass Crossover	80 Hz at 6 dB/octave
Low Pass Crossover	15 Hz to 199 Hz (variable in 1 Hz increments) selectable slope Default: 80 Hz @ 24 dB/octave
Subsonic Filter	15 Hz to 35 Hz (variable in 1 Hz increments) selectable slope Default: 15 Hz @ 24 dB/octave
Phase	0° to 180° (variable in 15 degree increments)
Polarity	Adjustable (+/-)
Magnet Structure	310 ounces (19.3 lbs)
Voice Coil	Tandem 3-inch push-pull
Cone	Kevlar-reinforced resin
<b>INPUTS</b>	
LFE (Mono)	Line Level (RCA), Nominal Impedance 47K Balanced (XLR), Nominal Impedance 10K
Input (L&R)	Line Level (RCA)
Microphone	Balanced (XLR, cable included)
Speaker Level (L&R)	Bare wire, banana plugs, or spade lugs.
<b>OUTPUTS</b>	
Thru (L&R)	Line Level (RCA)
Output (L&R)	Line Level (RCA)
EQ Output	Line Level (RCA) for Test Signal L/R and Video (cables included)
Shipping Weight (approx)	57 lbs (26 Kg)
Dimensions (H/W/D) (inc. feet, grille & knobs)	11.75" x 11.75" x 13.5" (30 x 30 x 34 cm)
Included Accessories	Full feature remote control, Digital Drive Accessory Kit
Warranty (North America)	Three years (electronics), Five years (drivers)
Finishes	Black Gloss, Cherry or Maple